

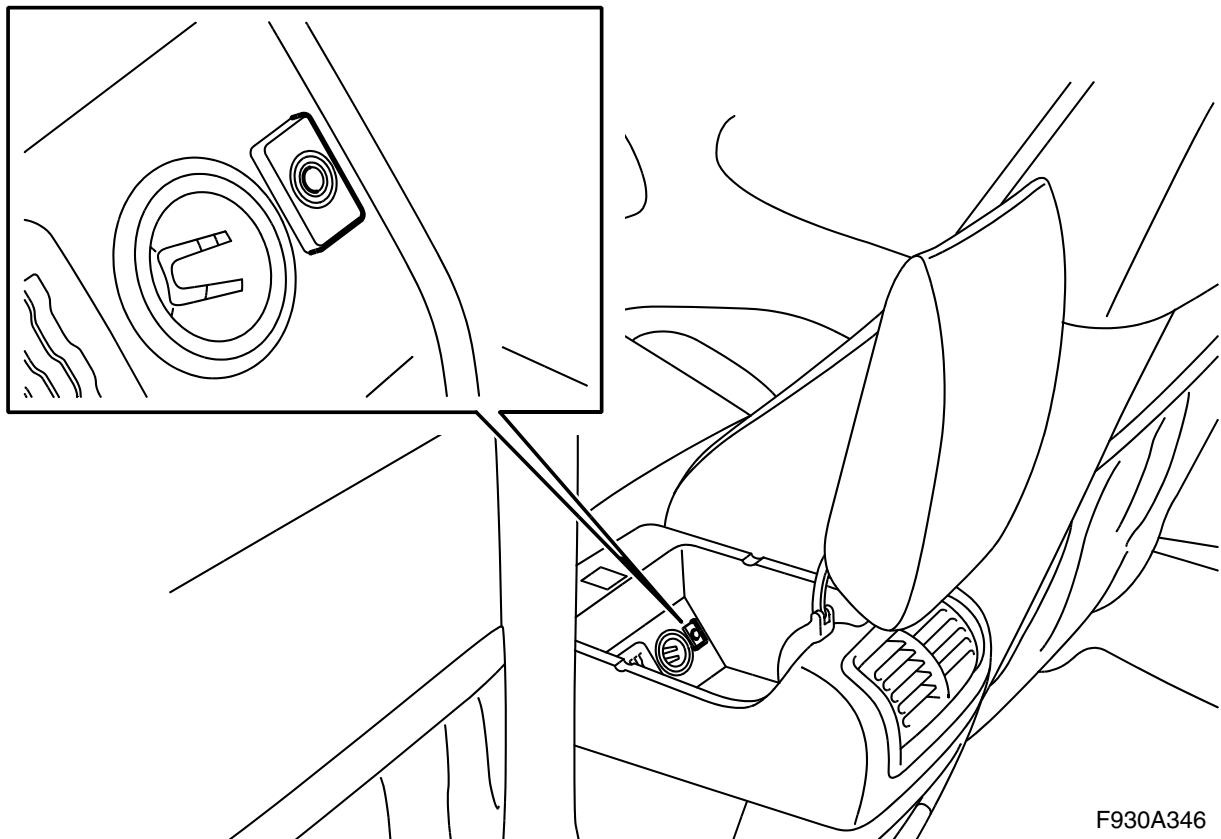


**MONTERINGSANVISNING · INSTALLATION INSTRUCTIONS  
MONTAGEANLEITUNG · INSTRUCTIONS DE MONTAGE**

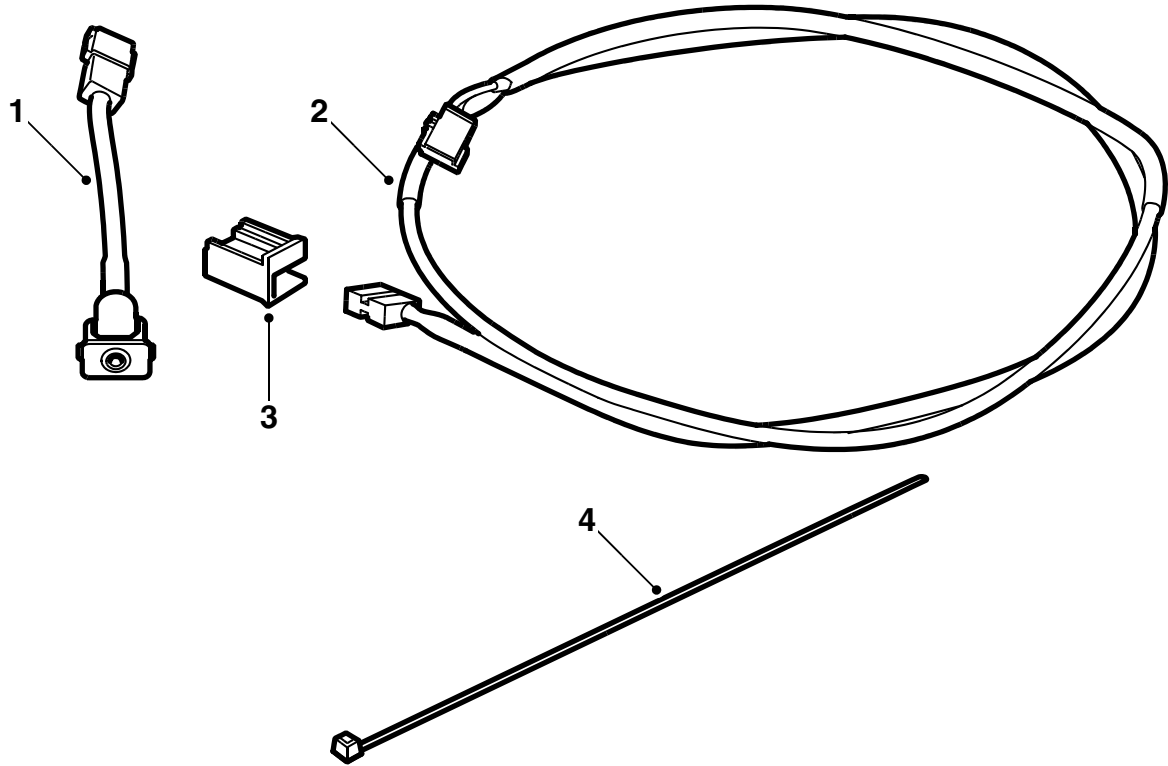
**Saab 9-3 M03-**

**AUX contact**

Accessories Part No.	Group	Date	Instruction Part No.	Replaces
<b>32 000 102</b>	<b>9:36-28</b>	<b>Feb 04</b>	<b>32 000 103</b>	

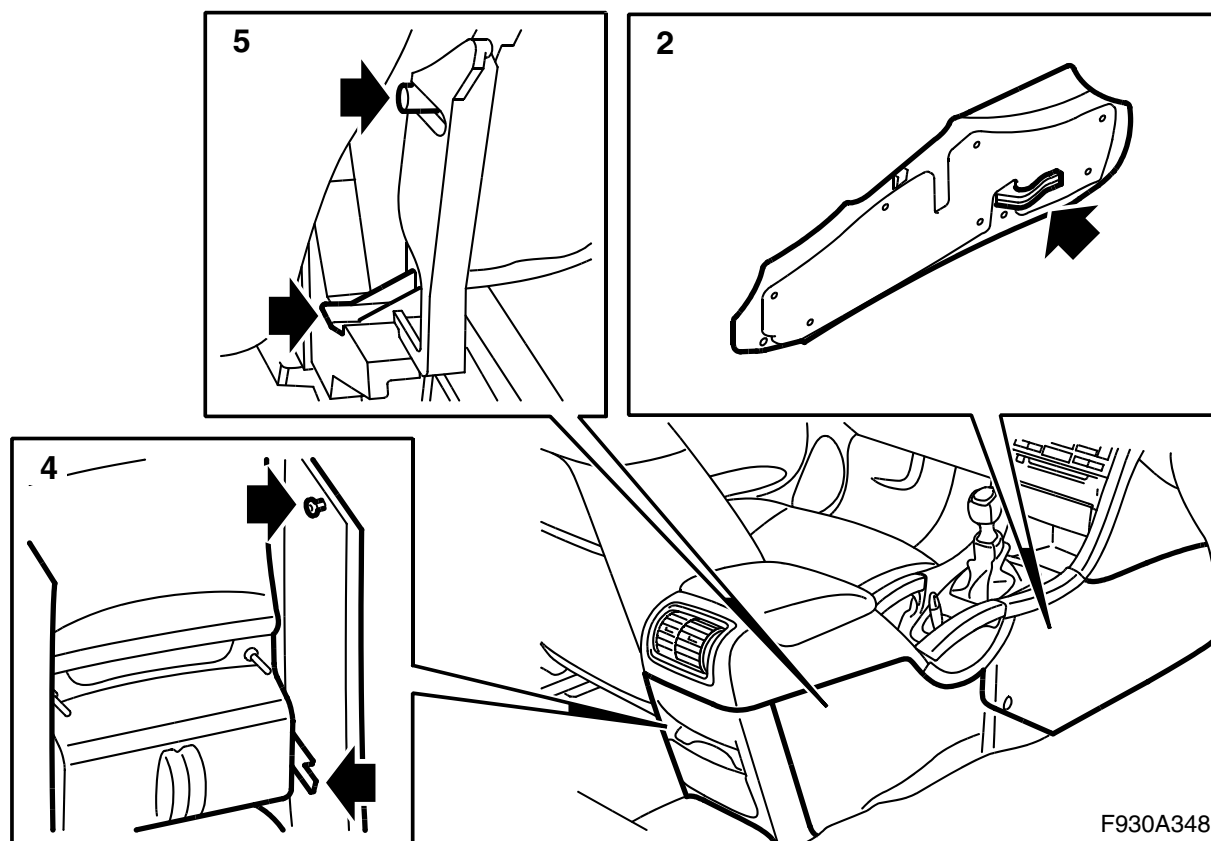


F930A346



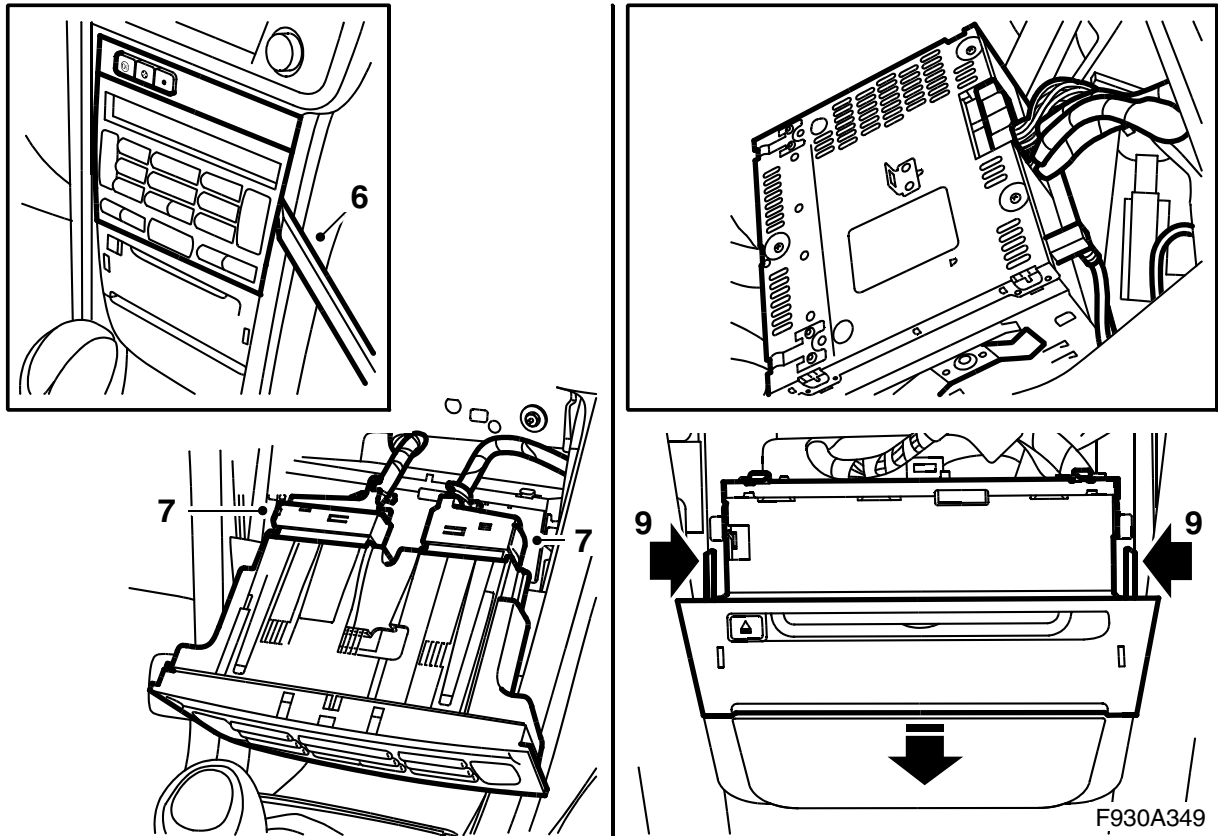
F930A347

- 1 AUX contact
- 2 Wiring harness
- 3 Adapter (connector)
- 4 Cable tie (x6)

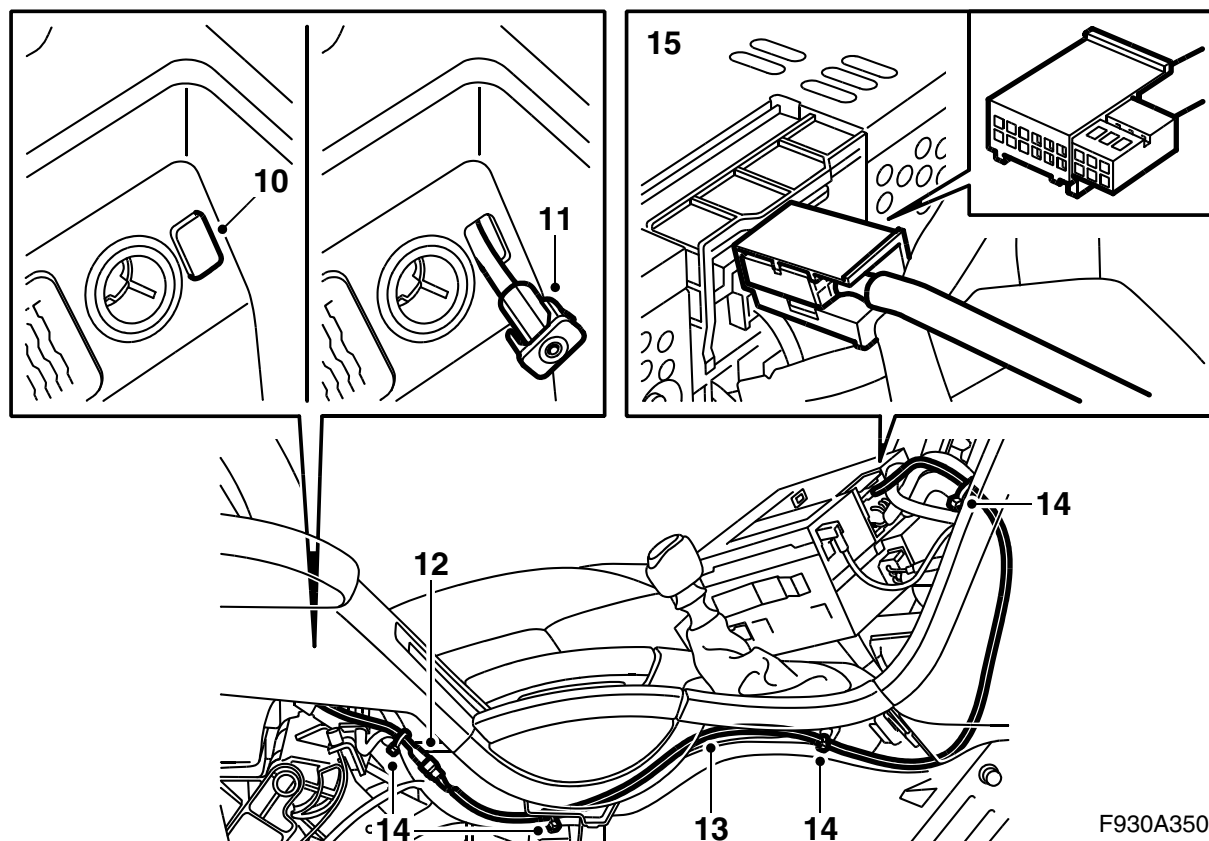


F930A348

- 1 Move the RH seat to its rear end position.
- 2 Remove the RH front side panel from the centre console.
- 3 Move the seat to its front end position and lower the backrest forward.
- 4 Remove the rear section of the floor console together with the ashtray.
- 5 Remove the rear side panel from the centre console.

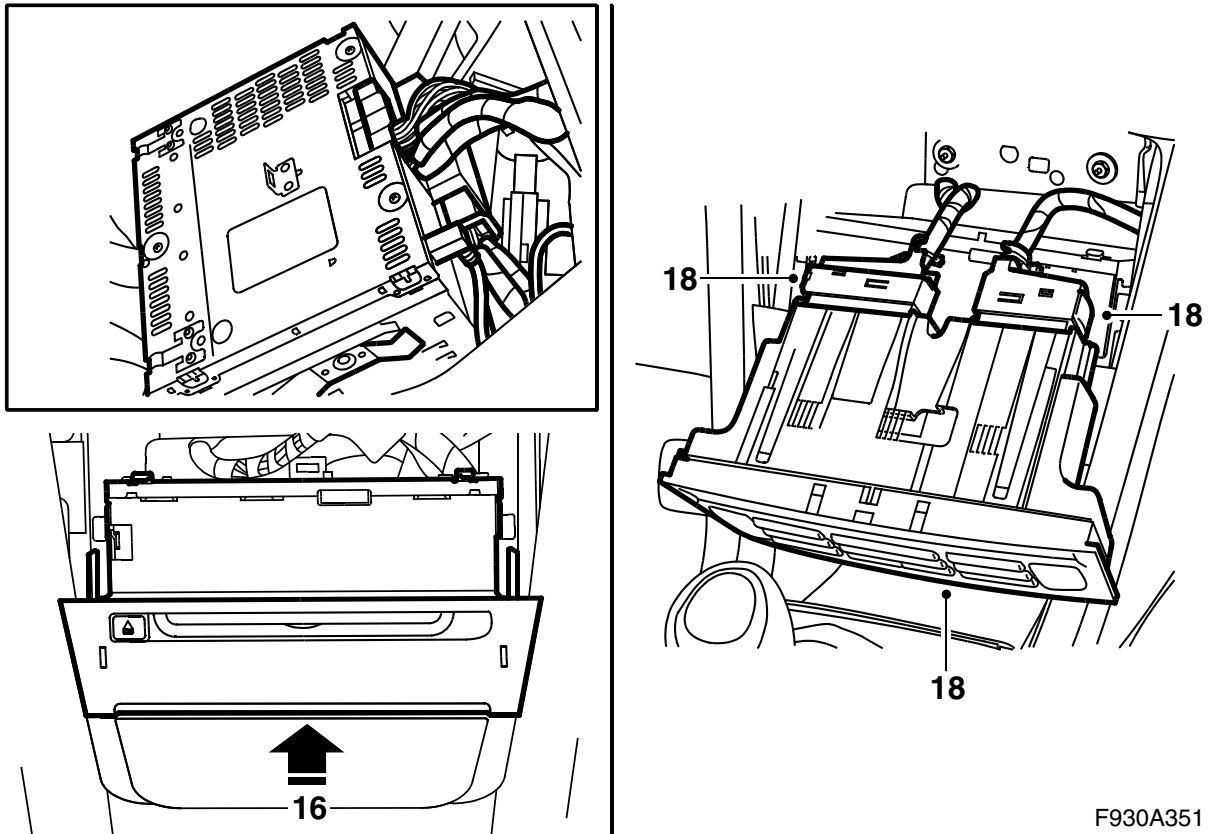


- 6 Remove the climate control system control unit by carefully drawing it out. Use removal tool 82 93 474.
- 7 Remove the control unit connector.
- 8 **Cars without CD player/changer:** Remove the cover.
- 9 Detach the Entertainment Head Unit by pressing in two catches but allow the connectors to remain.



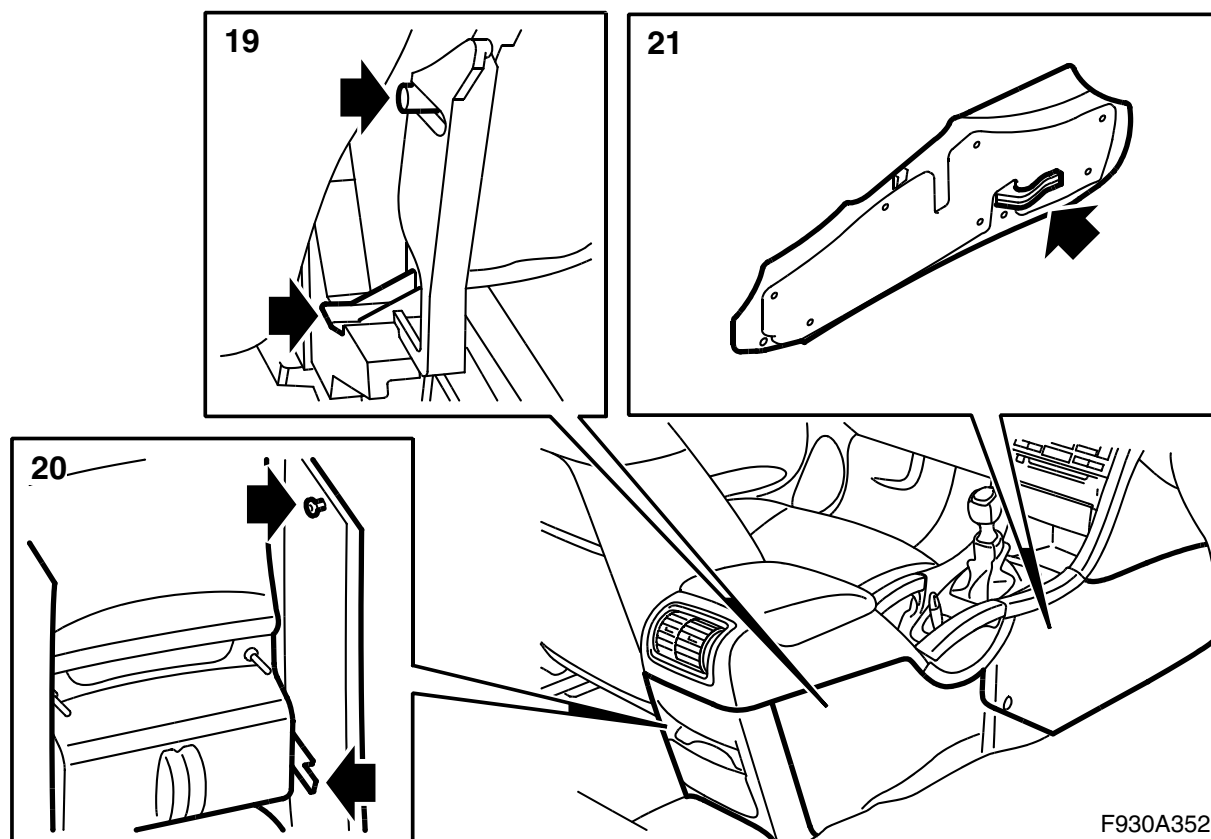
F930A350

- 10 Remove the blanking plugs from the hole in the centre console's rear storage compartment.
- 11 Insert the AUX contact through the hole. Make sure that it fastens properly in the socket.
- 12 Connect the AUX contact to the wiring harness connector.
- 13 Run the wiring harness forward along the RH side of the centre console and allow the connector to lead out behind the Entertainment Head Unit.
- 14 Fasten the wiring harness with cable ties and make sure that the wiring harness does not obstruct the handbrake or the gear lever mechanism.
- 15 Fit the adapter to the wiring harness connector and the Entertainment Head Unit.



F930A351

- 16 Fit the Entertainment Head Unit. A clicking sound should be heard.
- 17 **Cars without CD player/CD changer in the dashboard:** Fit the cover.
- 18 Connect and fit the climate control system control unit.



F930A352

- 19 Fit the rear side panel to the centre console.
- 20 Fit the rear section of the floor console with ashtray.
- 21 Fit the RH front side panel to the centre console.
- 22 Connect the diagnostic tool, select car and model year, select "All", select "Add/Remove", select the accessory and then "Add".

### Note

The diagnostic tool will on some occasions need to retrieve a security code in TIS. Information on what to do will be displayed on the diagnostic tool display.

- 23 Check that the AUX contact functions properly.