

Adjusting the basic charging pressure

Important

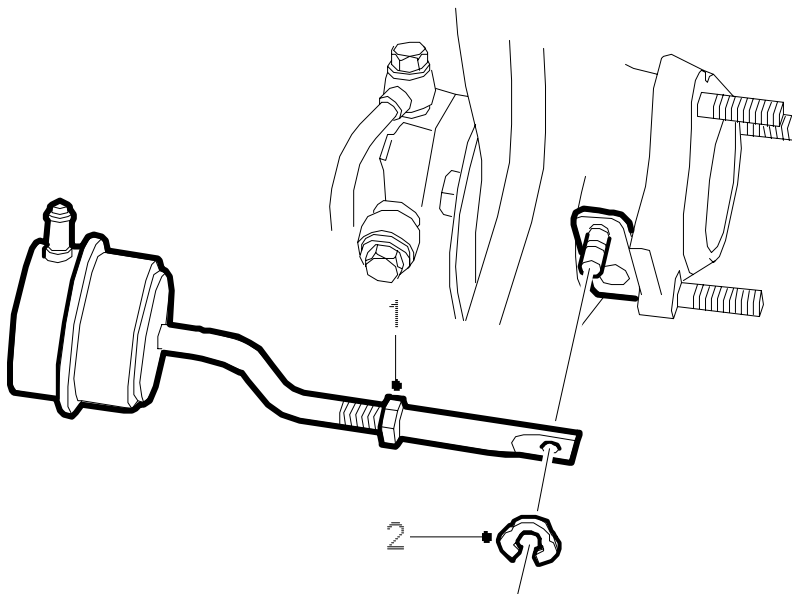
Basic charging pressure is the starting point for the TRIONIC system's pressure control function and must therefore be adjusted to the correct level.

Compensation of the maximum boost pressure in relation to the current basic charging pressure is carried out continuously through the system's adaptive function.

Raising the basic charging pressure above the specified value does not result in a higher boost pressure as the adaptive function will then reduce maximum boost pressure to the nominal value (negative adaptation).

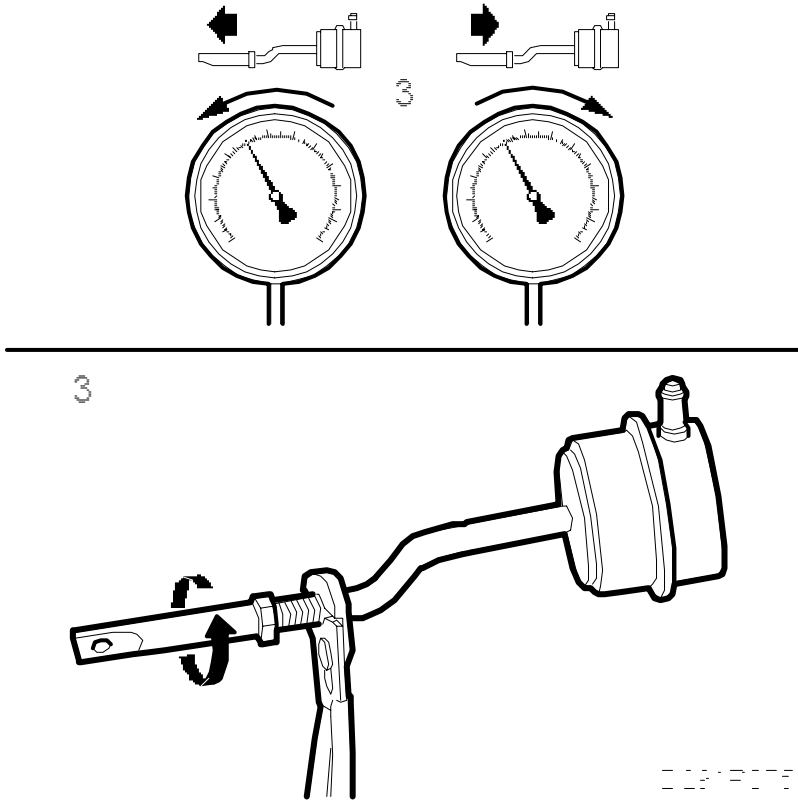
When adjusting the pushrod stroke, it is important that the pliers used as support are positioned as close to the threads as possible. Turn the end piece so that no burrs are created on the pushrod.

1. Raise the car and undo the end piece locknut.



2. Break the seal, remove the circlip and unhook the pushrod from the boost pressure control valve's operating arm.

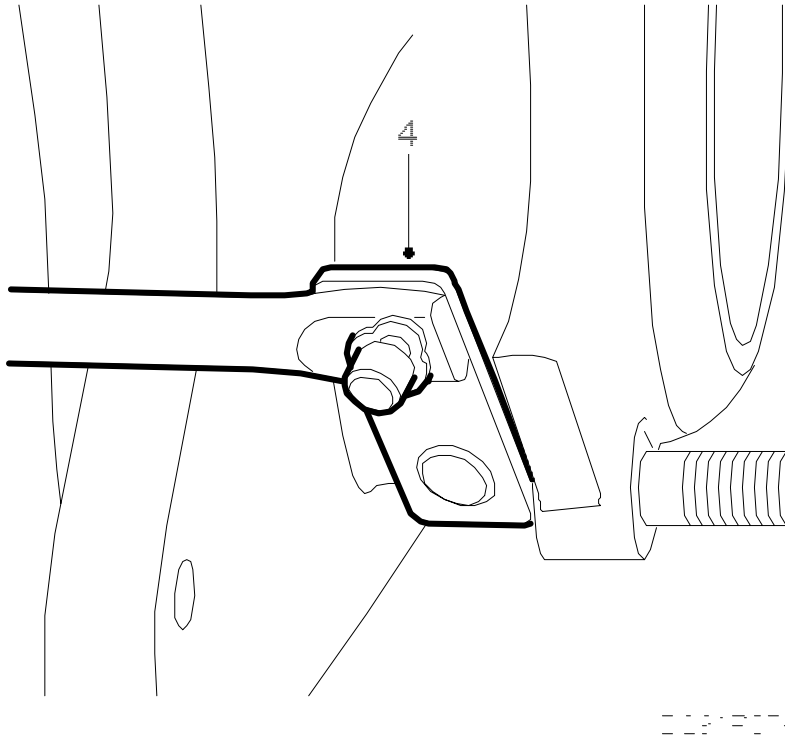
3. Adjust the basic charging pressure by screwing in the end piece if the pressure is too low or unscrewing the end piece if it is too high.



Rotating the end piece 1 turn changes the basic charging pressure by about 0.02 bar.

- 4.

Connect the pushrod to the operating arm and fit the circlip.



5. Recheck the basic charging pressure on-road, refer to [Checking basic charging pressure, on-road \(B205L/R, B235R\)](#). If it is not possible to adjust the charging pressure refer to [Wastegate](#) and [Diaphragm unit](#) for directions.
6. Affix a seal to the pushrod.